

# 3M-Matic™ Random Case Sealer 7000r High Speed Pro 7000r3 High Speed Pro

## Consistent. Reliable. Tough.

Today, companies need to be fast and flexible in every phase of their operations—and that includes end-of-line packaging. The 3M-Matic™ Random Case Sealer 7000r High Speed Pro/7000r3 High Speed Pro gives manufacturers and distributors from every industry the packaging flexibility and speed to stay one step ahead of the competition.

This advanced technology case sealer is an ideal solution for top and bottom sealing of random-sized cases. Automatically adjusting to both case height and width, the 3M-Matic™ Random Case Sealer 7000r High Speed Pro/7000r3 High Speed Pro can handle up to 28 different case sizes per minute.



### Operating Rate

Seals up to 28 random sized cases per minute

### Box Capacities

**Length:** 7.0" to unlimited

**Width:** 7.0" to 26"

**Height:** 3.5" to 27.0" (standard)  
14.38" to 38.13" (high)



# 3M-Matic™ Random Case Sealer 7000r High Speed Pro/7000r3 High Speed Pro

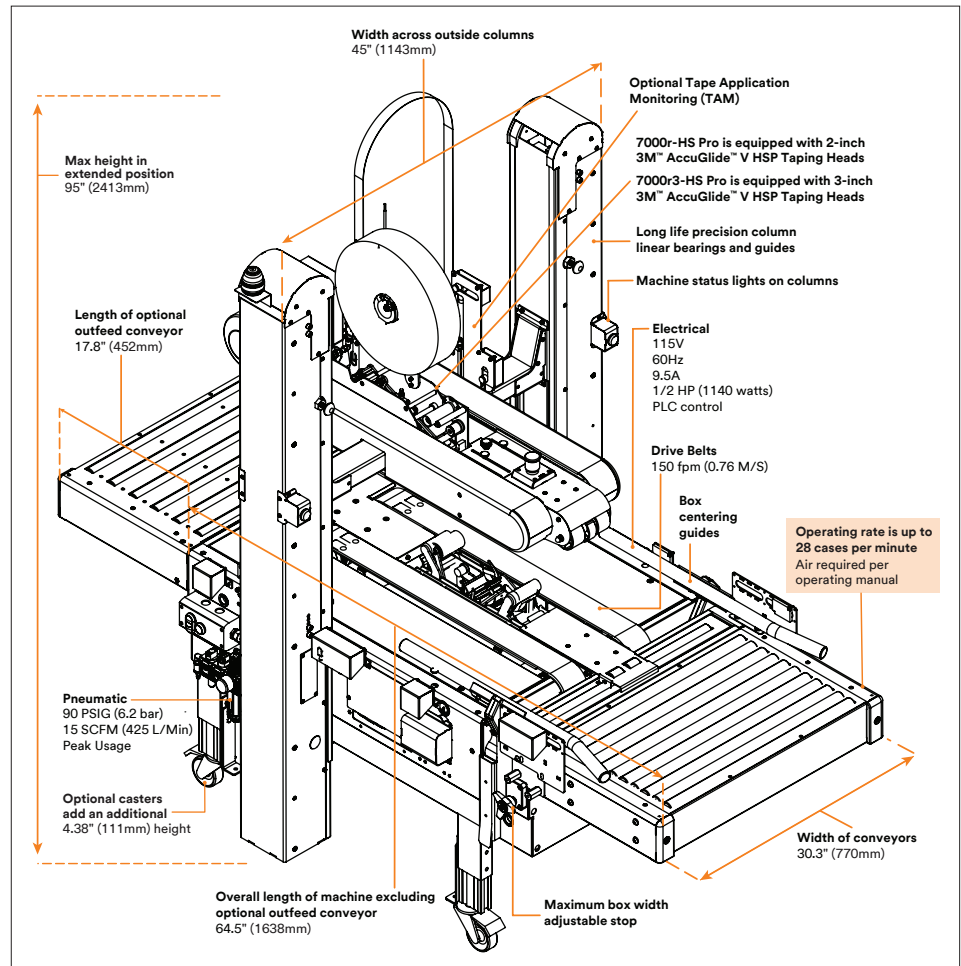
## Innovative Features

- 3M™ AccuGlide™ V HSP Taping Heads ensure reliable application of tape without box damage
- Interchangeable 2- or 3-inch taping heads maximize production flexibility
- Photo eye detection for box centering quickly responds to cartons of different widths
- Electro-pneumatic height adjustment delivers precision performance and durability
- PLC control
- Long life column linear bearings and guides for precision upper assembly movement
- Adjustable legs and outer columns for incremental case height min-max range
- Lights on outer columns for ease of interpreting machine status for operator

## Standard Features

- Top and bottom drive belt system
- Centrally located emergency stop
- Dual masts
- Infeed conveyor

**Options:** Exit conveyor, locking casters, tape application monitor (TAM)



## Box Capacities

Machine	Length		Width		Height	
	Minimum in. (mm)	Maximum in. (mm)	Minimum in. (mm)	Maximum in. (mm)	Standard Position in. (mm)	Fully Raised Position in. (mm)
7000r High Speed Pro	7.0 (178)	N/L	7.0 (178)	26.0 (660)	3-1/2 (89)	14-3/8 (367)
7000r3 High Speed Pro					27 (686)	38-1/8 (968)

Contact your 3M representative for special modifications that may be available for sizes not listed.

**Note:** This technical information and data should be considered representative or typical only and should not be used for specification purposes.

**Visit [3M.com/packaging](http://3M.com/packaging) for more information**



**3M Industrial Adhesives and Tapes Division**  
**3M Center, Building 225-3S-06**  
**St. Paul, MN 55144-1000**

Phone 800-362-3550  
 Web [3M.com/packaging](http://3M.com/packaging)

**Technical Information:** The technical information, guidance, and other statements contained in this document or otherwise provided by 3M are based upon records, tests, or experience that 3M believes to be reliable, but the accuracy, completeness, and representative nature of such information is not guaranteed. Such information is intended for people with knowledge and technical skills sufficient to assess and apply their own informed judgment to the information. No license under any 3M or third party intellectual property rights is granted or implied with this information. **Product Selection and Use:** Many factors beyond 3M's control and uniquely within user's knowledge and control can affect the use and performance of a 3M product in a particular application. As a result, customer is solely responsible for evaluating the product and determining whether it is appropriate and suitable for customer's application, including conducting a workplace hazard assessment and reviewing all applicable regulations and standards (e.g., OSHA, ANSI, etc.). Failure to properly evaluate, select, and use a 3M product and appropriate safety products, or to meet all applicable safety regulations, may result in injury, sickness, death, and/or harm to property. **Warranty, Limited Remedy, and Disclaimer:** Unless a different warranty is specifically stated on the applicable 3M product packaging or product literature (in which case such warranty governs), 3M warrants that each 3M product meets the applicable 3M product specification at the time 3M ships the product. 3M MAKES NO OTHER WARRANTIES OR CONDITIONS, EXPRESS OR IMPLIED, INCLUDING, BUT NOT LIMITED TO, ANY IMPLIED WARRANTY OR CONDITION OF MERCHANTABILITY, FITNESS FOR A PARTICULAR PURPOSE, OR ARISING OUT OF A COURSE OF DEALING, CUSTOM, OR USAGE OF TRADE. If a 3M product does not conform to this warranty, then the sole and exclusive remedy is, at 3M's option, replacement of the 3M product or refund of the purchase price. **Limitation of Liability:** Except for the limited remedy stated above, and except to the extent prohibited by law, 3M will not be liable for any loss or damage arising from or related to the 3M product, whether direct, indirect, special, incidental, or consequential (including, but not limited to, lost profits or business opportunity), regardless of the legal or equitable theory asserted, including, but not limited to, warranty, contract, negligence, or strict liability.

3M, 3M-Matic and AccuGlide are trademarks of 3M. Please recycle. Printed in USA. © 3M 2021.  
 All rights reserved. 70-0710-0494-2 DEC 2021