

THRIFTY PACK SKIN PACKAGER by Ampak

MODEL: TP1824



FEATURES

CONTROL PANEL

- Digital Logic Controls
- Adjustable Heating and Vacuum Controls
- Manual Cycle Override

HEATING OVEN

- Stationary Oven With Safety Guard
- Patented Spirad Instant-On Heating Elements
⇒ Heating elements are voltage specific to maximize oven wattage for faster film heating.

SEALING PLATFORM

- Variable Speed Turbine Vacuum System
- Pneumatic Film Frame Drive

OTHER FEATURES

- Spindle Film Roll Holder
- One Year Warranty



Model TP1824

R HS Denotes RapidHS 5 Day Program Options

MODEL SPECS

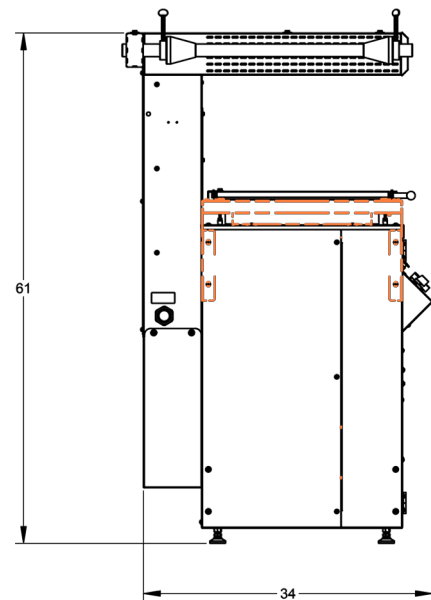
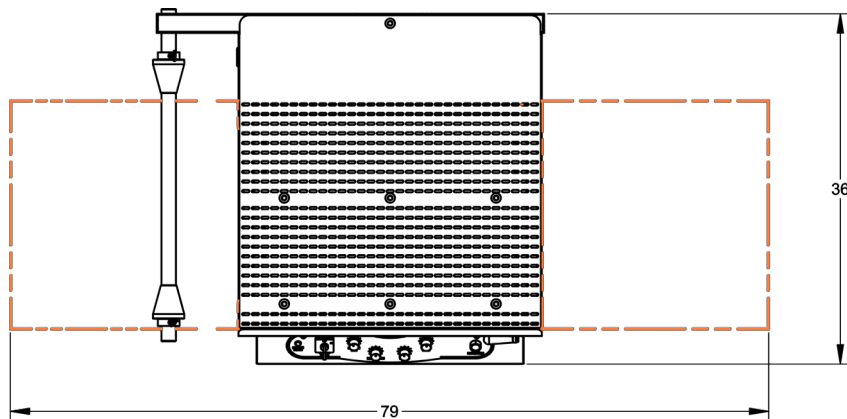
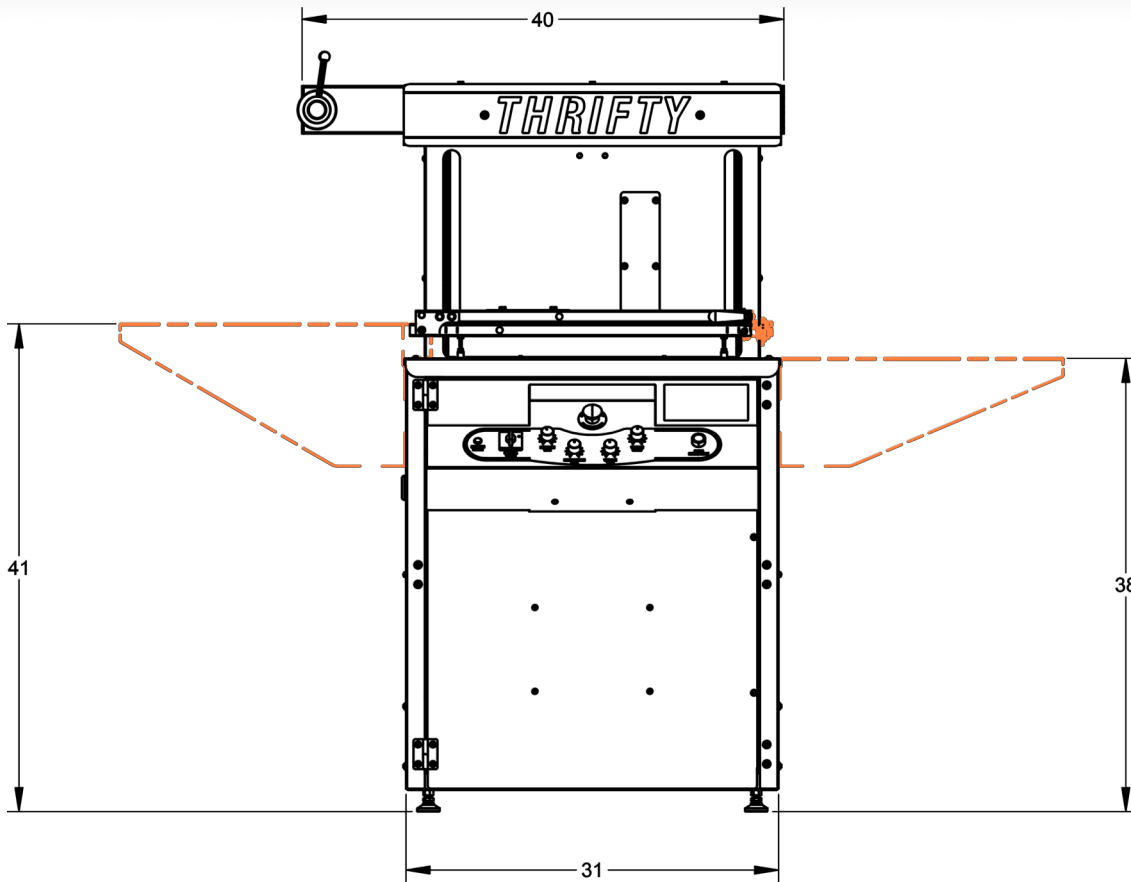
PLATEN SIZE	18" W, 24" L (46 W, 61 L cm)
PLATEN CLEARANCE	12" (30 cm)
PLATEN HEIGHT	41" (104 cm)
FILM CAPACITY	20" W, 9" OD, 3" ID (51 W, 23 OD, 7.6 ID cm)
OVERALL DIMENSIONS	36" L, 40" W, 61" H (91 L, 102 W, 155 H cm)
POWER REQUIREMENTS	<ul style="list-style-type: none">• 208 1 Phase, 50 Amp• 220-240 1 Phase, 50 Amp• 208 3 Phase, 30 Amp• 220-240 3 Phase, 30 Amp• Option: 480 3 Phase, 25 Amp
AIR REQUIREMENTS	1 CFM @ 80 PSI
WEIGHT	420 lbs. (190 kg)

AVAILABLE OPTIONS

- Hotwire Film Cutoff **R HS**
- Transformer For 440-480 Volts
- 2 Foot Bolt On Infeed Table **R HS**
- 2 Foot Bolt On Outfeed Table **R HS**
- 6 Foot Freestanding Infeed Table
- 6 Foot Freestanding Outfeed Table
- Spare Parts Kit **R HS**

THRIFTY PACK SKIN PACKAGER by Ampak

MODEL: TP1824



For more information, please contact your local Lindenmeyr Munroe sales representative.

LindenmeyrMunroe.com



Revised 2018